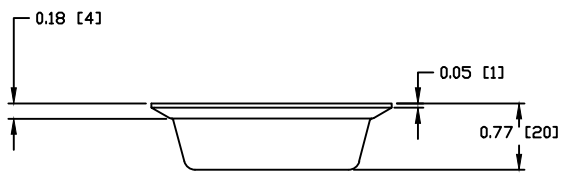


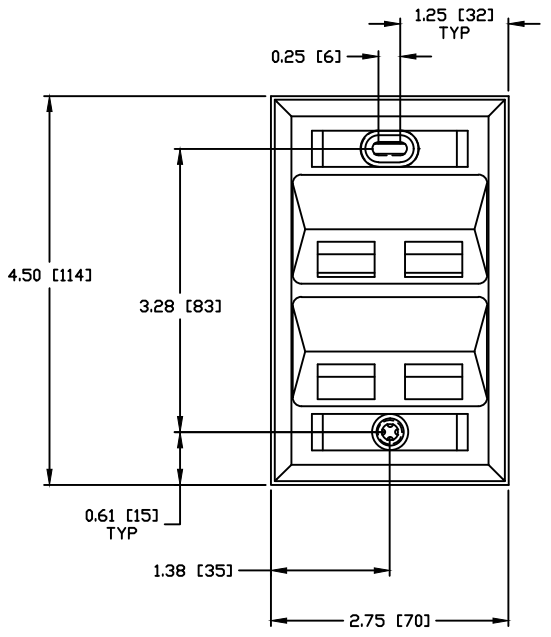
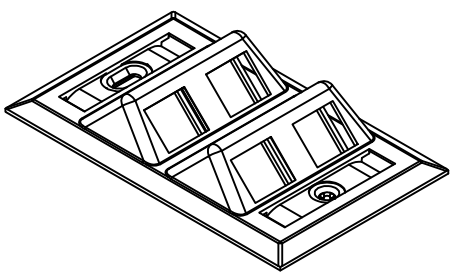
6 5 4 3 2 1

PARTS INCLUDED	
DESCRIPTION	QTY.
1 ANGLED FACEPLATE	1
2 COVER LABEL	2
3 SCREW, #6-32 X 3/4	2
4 INSTRUCTION SHEET	1

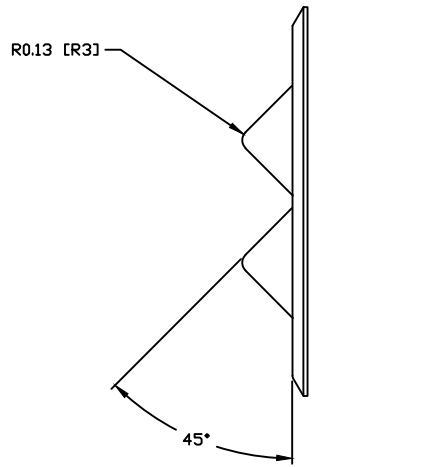
COLOR	CATALOG No.
OFFICE WHITE	AFP14
TELCO IVORY	AFP14I
GRAY	AFP14G
WHITE	AFP14W
ELECTRIC IVORY	AFP14E



TOP VIEW




FRONT VIEW



RIGHT SIDE VIEW

- NOTES:
- FACEPLATES ARE UL (#E129878 AND CSA (#LR80837) LISTED.
  - FACEPLATES ARE MADE FROM HIGH IMPACT 94 V-0 RATED THERMOPLASTIC
  - SUPPORTS MULTI-MEDIA APPLICATIONS AT THE STATION SITE
  - COMPATIBLE WITH (SM/MM) ST AND SC DUPLEX ADAPTERS (SOLD SEPARATELY)
  - ADAPTERS AND JACKS ARE MOUNTED AT 45° DOWNWARD ANGLE
  - SUPPORT 606 LOCATION LABEL
  - AVAILABLE IN FOUR COLORS
  - SPECIFICATIONS SUBJECT TO CHANGE WITHOUT NOTICE

Created on V-14 AUTOCAD	DIMENSIONING AND TOLERANCE PER ANSI Y14.5M-1982 UNLESS OTHERWISE SPECIFIED, DIMENSIONS ARE IN INCHES (MM). TOLERANCES .XX = ±.01 (.25) .XXX = ±.005 (.127) .XXXX = ±.0025 (.0635) ANGLE TOL ±1°		PROJECT REFERENCE:		 <b>Hubbell Premise Wiring</b> HUBBELL INCORPORATED (Delaware) 14 Lord's Hill Road, Stonington, Connecticut 06378
	IN ACCEPTING OUR DRAWINGS, BLUEPRINTS, OR SUPPORTING DOCUMENTATION FOR QUOTATION OR OTHER PURPOSES, YOU AGREE NOT TO DISCLOSE TO OTHERS THE IDEAS, INFORMATION, OR DESIGNS SHOWN HEREIN, AND THAT YOU WILL MAKE NO USE OF SAME WITHOUT PERMISSION		MATERIAL:		
			DRAWN BY: D. SCIONTI 5/10/99		
			CHECKED BY:		
		APPROVED BY:		TITLE: AFP 14 SERIES ANGLED FACEPLATES	
		SIZE C		DRAWING NO. C778399	
		SCALE: NONE		SHEET 1 OF 1	

REV.	ECN	DATE	DESCRIPTION	CHG BY	APPD BY
B	16426	5/24/2010	ADDED AFP14E TO TABLE	DPD	