



Seamless Hubbell System Integration.

Universal Keystone Design fits into all Hubbell Products.

Standard BNC Bulkhead Connector.

Gold-Plated 75 Ohm Connections.

SPECIFICATIONS

- ◆ **Connector:**
 - Connector Body: Brass.
 - Nickel-plated: 100μ"
 - Gold-plated: 2μ"
- ◆ **Performance:**
 - Range: 1500MHz
 - Impedance: 75 Ohms
 - Mating Cycles: 500+
- ◆ **Material:**
 - Housing: Flame-retardant Polymer UL 94V-0

CABLE TERMINATION

Cable Type: RG6 and RG59 75 ohm Coax Cable.

CONNECTOR TERM

BNC Connector:
Used for professional video connections, both for analog and amateur radio antenna connections, aviation electronics and electronic test equipment. The BNC is an alternative to the RCA when used for component/composite video on commercial video devices.

HUBBELL iStation AV Connectors, BNC

High performance
Gold-plated
BNC connector.

Quick and easy
bayonet-style
installation.



High impact, flame-
retardant Polymer.

Hubbell's **iSTATION™** Gold and Nickel-plated BNC connectors provide a perfect solution for distributing coaxial (RG-6 & RG-59) video signal to the work station or cross-connect. Requiring no soldering, these BNC connectors install with a snap and provide a quick easy "bayonet-style" termination.

The **iSTATION™** BNC connectors are available in 7 standard Hubbell colors and mount into all **iSTATION™** face plates, modules, frames, surface housings, poke-throughs, raceway, delivery and UDX multimedia panels.

Create a customized multimedia work station by adding an Gold BNC connector along with HPW's extensive line of AV connectors, loaded modules and **XCELERATOR™** jacks.

APPLICATIONS SUPPORTED

- TV, CCTV, CATV, satellite and home theater.
- Projectors, flat panel TVs, entertainment systems.
- Security and surveillance systems.

INSTALLATION TIPS

Important: Always allow for clearance behind connection location to ensure for proper bend radius.

Gold Plating: Gold plating encapsulates the connector's base metal (brass) preventing oxidation/corrosion from forming. It also has a more transparent (signal) conductive path over Nickel (3x), which is closer to Copper it's transmitting over.

iSTATION™ BNC AV Connector

See Color Chart below for AV module body color.



Description
AV Connector, BNC, Gold

Catalog No.
SFBNGXX

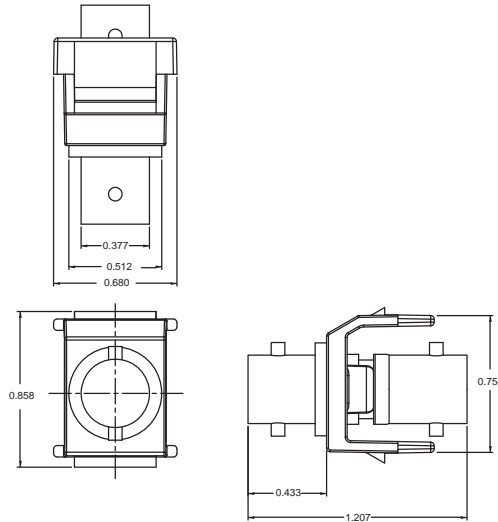


AV Connector, BNC, Nickel

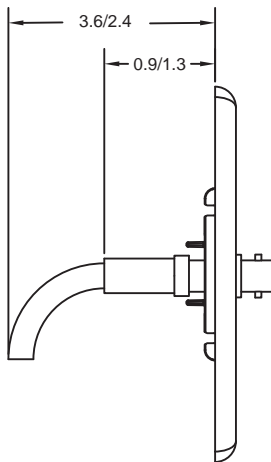
SFBNXX

XX = Housing Color: "AL" = Almond; "BK" = Black;
"EI" = Electric Ivory; "GY" = Gray; "LA" = Light Almond;
"OW" = Office White; "W" = White.

DIMENSIONS



CONNECTOR DEPTH CHART



iSTATION™ COMPATIBLE

Work Station and Cross-Connect Solutions

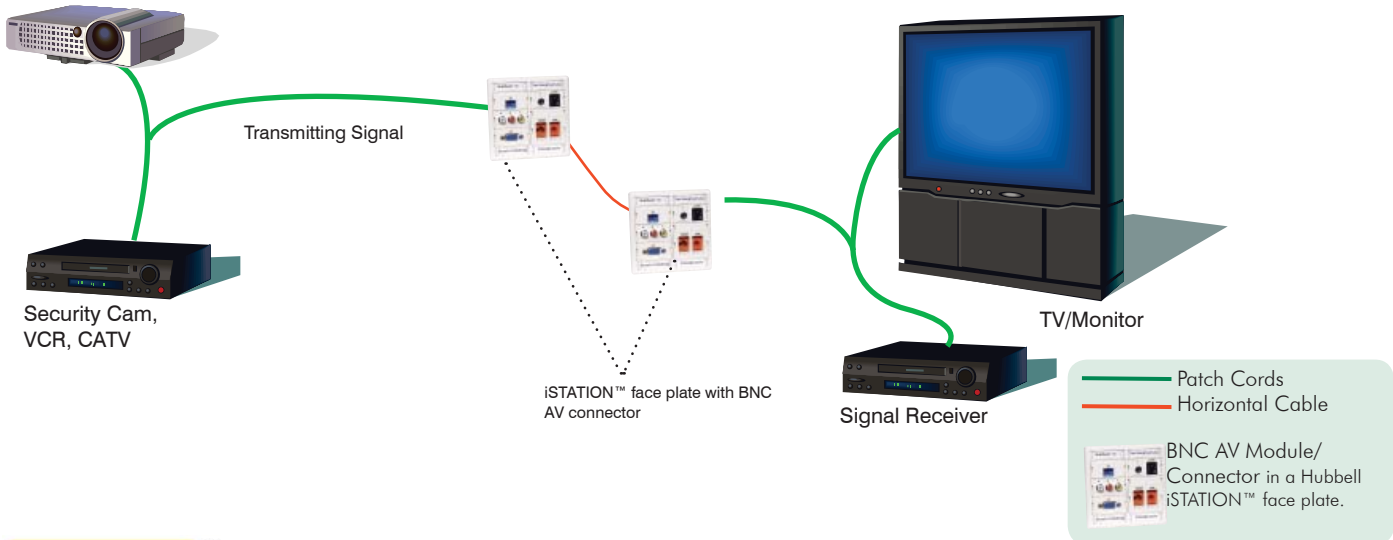
- Front and Rear-loading Plates
- Duplex and Decorator Frames
- ISM Surface Mount Boxes
- UDX Multimedia Panels (except 1U-48)
- **NETSELECT®** Residential Network Solution
- **iFRAME®** Vertical Patch Panel

Hubbell Delivery System

- Hubbell **SystemOne** Poke-Throughs and Floor Boxes
- Hubbell Surface Raceway, Metal and Non-Metallic
- Multi-Connect™ Wall Boxes/Conference Table Boxes
- Power Poles



TYPICAL APPLICATION



Hubbell Premise Wiring

HUBBELL INCORPORATED (Delaware)
14 Lord's Hill Road • Stonington, CT 06378-0901 • (860) 535-8326 • 800-626-0005
Fax: (860) 535-8328 • Internet site: <http://www.hubbell-premise.com>

Worldwide Locations

Hubbell Premise Wiring, Asia Pacific
Hubbell Canada Inc.
Hubbell Premise Wiring, Central America
Hubbell Premise Wiring, China
Hubbell Premise Wiring, Europe
Hubbell Premise Wiring, India
Hubbell Int'l. Inc., Korea Branch

852-2836-7131
905-839-1138
506-309-4158
86-21-6374 2660
44-01283 500500
91-80-4022-4089
(82 2) 2607 1363

Fax: 852-2836-7132
Fax: 905-839-9108
Fax: 506-260-1616
Fax: 86-21-6374 2799
Fax: 44-01283 500400
Fax: 91-80-4022-4033
Fax: (82 2) 2603 7386

Hubbell Premise Wiring, Latin America
Hubbell de Mexico, S.A. de C.V.
Hubbell Premise Wiring, Middle East
Hubbell Premise Wiring, Puerto Rico
Hubbell-Taian Co., Ltd., Taiwan
Hubbell Premise Wiring, Venezuela

305-408-4501
(5255) 9151-9999
971-4-393-4192
787-855-1075
886-2-2522-1862
58-212-5156482

Fax: 305-408-8201
Fax: (5255) 9151-9989
Fax: 971-4-393-4194
Fax: 787-855-3265
Fax: 886-2-2522-1872
Fax: 58-212-6627258