



HUBBELL iStation Audio/Video Connectors, DVI-I Coupler

iSTATION™ Front-Loading
Footprint.

High Definition Digital Video.

1080p Signal Transmission.

High Quality Gold-Plated
Contacts.

Female to Female
coupler.



iSTATION™
Mounting
Flexibility

True HD Video.



DVI-I Dual Link.

SPECIFICATIONS

- ◆ **Connector:** DVI Female to Female coupler.
Gold-plated 2μ".
Version DVI-I.
- ◆ **Video signal:**
Digital video stream
(Single) WUXGA 1920 × 1200 @ 60 Hz.
(Dual) WQXGA (2560 × 1600) @ 60 Hz.
Analog RGB video (-3 db at 400 MHz)
- ◆ **Data signal:**
R,G,B data + clock and display data channel
- ◆ **Bandwidth:**
(Single) 3.7 Gbit/s.
(Dual) 7.4 Gbit/s or more.
- ◆ **Pins:** 29.

Hubbell's DVI-I Coupler provides an easy way to run High Definition Video from device to device. This high performance, high quality video connection is designed for minimal signal loss delivering true high definition video to the viewing device.

Providing flexibility and ease-of-use for digital audio/video applications, our DVI-I coupler fits into a high-density 1.5 unit iSTATION™ module allowing for 1.5 additional units to be placed into a single-gang faceplate for additional applications.

Create a customized multimedia work station outlet by adding a high-density DVI-I coupler along with Hubbell's extensive line of AV connectors, iSTATION™ modules and XCELERATOR™ jacks.

CABLE TERMINATION

Cable Type: Standard DVI Cable Assemblies

Note: Can not be field terminated.

- Standard DVI Distance Limitation:
 - 15 feet 1920 x 1200.
 - 50 feet 1280 x 1024.
- Greater than 50 feet always check Cable/Device Manufacturer's Specifications.

APPLICATIONS SUPPORTED

- ▲ Projectors.
- ▲ Smart whiteboard technology.
- ▲ Flat panel monitors.
- ▲ Desktop and laptop computers.
- ▲ Audio/video receivers.
- ▲ Multimedia devices.

CONNECTOR TERM

DVI: Digital Visual Interface is a video interface standard designed to maximize the visual quality of digital display devices such as flat panel LCD computer displays and digital projectors. It is designed to carry uncompressed digital video data to a display.

INSTALLATION TIPS

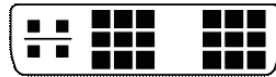
Important: Always allow for clearance behind connection location to ensure proper bend radius with DVI cable assemblies.

Gold Plating: Gold plating encapsulates the connectors base metal (brass) preventing oxidation/corrosion. Gold also provides a highly conductive signal path through the connector.

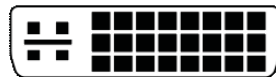
DVI CONNECTOR TYPES

The DVI connector is available in 3 different styles, depending on signal transmission:

- 1 DVI-D (digital only).
- 2 DVI-A (analog only).
- 3 DVI-I (integrated, digital and analog).



DVI-I (Single Link)



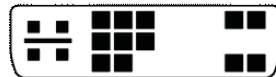
DVI-I (Dual Link)



DVI-D (Single Link)



DVI-D (Dual Link)



DVI-A

DVI APPLICATION SPECIFICATIONS

● **Digital**

Minimum clock frequency: 21.76 MHz.

Maximum clock frequency in single link mode:
Capped at 165 MHz (3.7 Gbit/s).

Maximum clock frequency in dual link mode:
Limited only by cable quality (more than 7.4 Gbit/s).
Pixels per clock cycle: 1 (single link) or 2 (dual link).

Bits per pixel: 24.

● **Display modes (single link):**

HDTV (1920 × 1080) @ 60 Hz with 5% LCD blanking (131 MHz).

UXGA (1600 × 1200) @ 60 Hz with GTF blanking (161 MHz).

WUXGA (1920 × 1200) @ 60 Hz (154 MHz).

SXGA (1280 × 1024) @ 85 Hz with GTF blanking (159 MHz).

WXGA+ (1440 × 900) @ 60 Hz (107 MHz).

WQUXGA (3840 × 2400) @ 17 Hz (164 MHz).

● **Display modes (dual link):**

QXGA (2048 × 1536) @ 75 Hz with GTF blanking (2×170 MHz).

HDTV (1920 × 1080) @ 85 Hz with GTF blanking (2×126 MHz).

WQXGA (2560 × 1600) @ 60 Hz with GTF blanking (2×174 MHz).

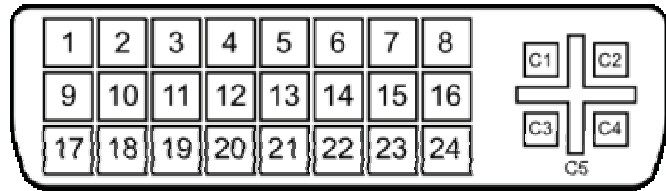
WQUXGA (3840 × 2400) @ 33 Hz with GTF blanking (2×159 MHz).

GTF (General Timing Formula) is a VESA standard.

● **Analog:**

RGB bandwidth: 400 MHz at -3 dB.

DVI CONNECTOR PIN-OUT



Pin 1	TMDS Data 2-	Digital red - (Link 1)
Pin 2	TMDS Data 2+	Digital red + (Link 1)
Pin 3	TMDS Data 2/4 shield	
Pin 4	TMDS Data 4-	Digital green - (Link 2)
Pin 5	TMDS Data 4+	Digital green + (Link 2)
Pin 6	DDC Clock	
Pin 7	DDC Data	
Pin 8	Analog vertical sync	
Pin 9	TMDS Data 1-	Digital green - (Link 1)
Pin 10	TMDS Data 1+	Digital green + (Link 1)
Pin 11	TMDS Data 1/3 shield	
Pin 12	TMDS Data 3-	Digital blue - (Link 2)
Pin 13	TMDS Data 3+	Digital blue + (Link 2)
Pin 14	+5V	Power for monitor when in standby
Pin 15	Ground	Return for pin 14 and analog sync
Pin 16	Hot plug detect	
Pin 17	TMDS Data 0-	Digital blue - (Link 1) and digital sync
Pin 18	TMDS Data 0+	Digital blue + (Link 1) and digital sync
Pin 19	TMDS Data 0/5 shield	
Pin 20	TMDS Data 5-	Digital red - (Link 2)
Pin 21	TMDS Data 5+	Digital red + (Link 2)
Pin 22	TMDS clock shield	
Pin 23	TMDS clock+	Digital clock + (Links 1 and 2)
Pin 24	TMDS clock-	Digital clock - (Links 1 and 2)
C1	Analog red	
C2	Analog green	
C3	Analog blue	
C4	Analog horizontal sync	
C5	Analog ground	Return for R, G and B signals

DVI ANALOG VGA APPLICATIONS

NOTE: DVI connectors provides the same analog signals as a standard 15-pin “VGA Style” connector, allowing a VGA monitor to be connected with an adapter. This feature makes DVI universal, to allow either an analog or digital monitor to operate over the same connection.

AV Connector, DVI-I Coupler



Description	Catalog No.
DVI-I Coupler, 1-pk	DVI1
DVI-I Coupler, 10-pk	DVI10

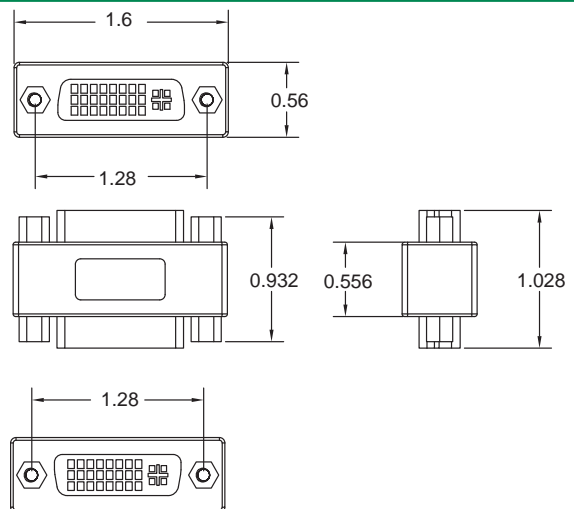
HDMI 15/9-pin Plates, Frames and Modules

Description	Catalog No.
DVI Blank, Unloaded, 1 Unit, 10-pk	IMBDVI1015XX
DVI Blank, Unloaded, 1 Unit, 1-pk	IMBDVI15XX

XX = Housing Colors

"AL" = Almond; "BK" = Black; "EI" = Electric Ivory; "GY" = Gray;
 "LA" = Light Almond; "OW" = Office White; "W" = White.

DIMENSIONS



CONNECTOR DEPTH CHART

iSTATION™ COMPATIBLE

Work Station and Cross-Connect Solutions

- iSTATION™ Front-loading Plates
- Decorator Frames
- iSTATION™ UDX Multimedia Panels
- iFRAME® Vertical Patch Panel

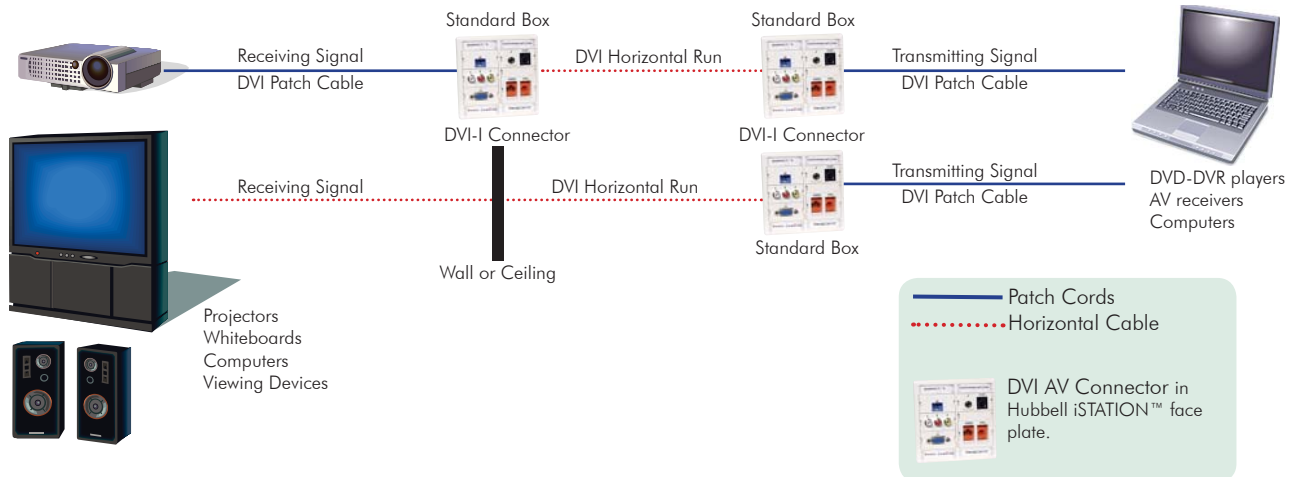


Hubbell Delivery Systems

- Hubbell SystemOne Poke-Throughs and Floor Boxes
- Hubbell Surface Raceway, Metal and Non-Metallic
- Multi-Connect™ Wall Boxes/Conference Table Boxes



TYPICAL APPLICATIONS



Hubbell Premise Wiring

HUBBELL INCORPORATED (Delaware)
 14 Lord's Hill Road • Stonington, CT 06378-0901 • (860) 535-8326 • 800-626-0005
 Fax: (860) 535-8328 • Internet site: <http://www.hubbell-premise.com>

Worldwide Locations

Hubbell Premise Wiring, Asia Pacific
 Hubbell Canada Inc.
 Hubbell Premise Wiring, Central America
 Hubbell Premise Wiring, China
 Hubbell Premise Wiring, Europe
 Hubbell Premise Wiring, India
 Hubbell Int'l. Inc., Korea Branch

852-2836-7131
 905-839-1138
 506-309-4158
 86-21-6374 2660
 44-01283 500500
 91-80-4022-4089
 (82 2) 2607 1363

Fax: 852-2836-7132
 Fax: 905-839-9108
 Fax: 506-260-1616
 Fax: 86-21-6374 2799
 Fax: 44-01283 500400
 Fax: 91-80-4022-4033
 Fax: (82 2) 2603 7386

Hubbell Premise Wiring, Latin America
 Hubbell de Mexico, S.A. de C.V.
 Hubbell Premise Wiring, Middle East
 Hubbell Premise Wiring, Puerto Rico
 Hubbell-Taian Co., Ltd., Taiwan
 Hubbell Premise Wiring, Venezuela

305-408-4501
 (5255) 9151-9999
 971-4-393-4192
 787-855-1075
 886-2-2522-1862
 58-212-5156482

Fax: 305-408-8201
 Fax: (5255) 9151-9989
 Fax: 971-4-393-4194
 Fax: 787-855-3265
 Fax: 886-2-2522-1872
 Fax: 58-212-6627258