



HUBBELL  
**iStation**

## Audio Video Connectors, F-Type, Recessed

Seamless Hubbell System  
Integration.

Universal Keystone Design fits  
in all Hubbell Products.

Hubbell Design Technology.

1500 MHz Performance.

High-performance Gold-  
Plated F-Connector.



Quick and easy "push-on"  
-style termination.

High-impact, flame-  
retardant polymer.

Recessed connection  
designed for poke-through  
applications.

### SPECIFICATIONS

- ◆ **Connector:**
  - Connector Body: Brass
  - Gold-plated: 2μ"
- ◆ **Performance:**
  - Range: 1500MHz
  - Impedance: 75 Ohms
  - Mating Cycles: 500+
- ◆ **Housing Material:**
  - flame retardant polymer rated UL 94V-0.

Hubbell's Recessed F-connector is the perfect solution for video applications requiring flush mounting. Snap the recessed F into a Hubbell poke through, a wall plate, or even a floor box to distribute 75 Ohm coaxial (RG-6 and RG-59) video signal. Requiring no soldering, these F-connectors install with a snap and provide a quick easy "screw-on" or "push-on" termination.

The Recessed F-Connectors are available in seven standard Hubbell colors and flush mount into all **iSTATION™** face plates, modules, frames, surface housings, Hubbell delivery system products including poke throughs, raceway, and UDX multimedia panels.

Create a customized multimedia workstation by adding a Gold F-Connector along with Hubbell's extensive line of AV connectors, loaded modules and **XCELERATOR™** jacks.

### CABLE TERMINATION

**Cable Type:** RG-6 and RG-59 75 ohm coax cable.

### APPLICATIONS SUPPORTED

- TV, CCTV, CATV, satellite and home theater.
- Projectors, flat panel TVs, entertainment systems.
- Security and surveillance systems.

### CONNECTOR TERM

**F-Connector** - A common type of connector used for cable TV (CATV), closed circuit TV (CCTV), satellite TV, Internet access through cable modems and security surveillance cameras. Female F-Couplers have a 3/8-32 thread. Most male F-connectors have a matched threaded connecting ring or in some cases are a push-on version. The male F-connector body is terminated by screwing, crimping, or compressing onto the exposed outer braid/shield of the RG-6 or RG-59 cable, leaving the conductor exposed in the center of the connector.

### INSTALLATION TIPS

**Important:** Always allow for clearance behind connection location to ensure for proper bend radius

**Termination:** Station side of connection is a "push-on" style connector only. Rear side standard screw-style or push-style

**Gold Plating:** Gold plating encapsulates the base metal (brass) preventing oxidation/corrosion from forming. It also has a more transparent conductive path over nickel, which is closer to copper its transmitting over.

**AV Connector, F-Type Recessed**

Sold in carton increments only. Carton contains - 25 keystone connectors (individually bagged).



Description Recessed  
Catalog No. **SFRGFXX**

**XX = Housing Colors**

"AL" = Almond; "BK" = Black; "EI" = Electric Ivory; "GY" = Gray;  
"LA" = Light Almond; "OW" = Office White; "W" = White.

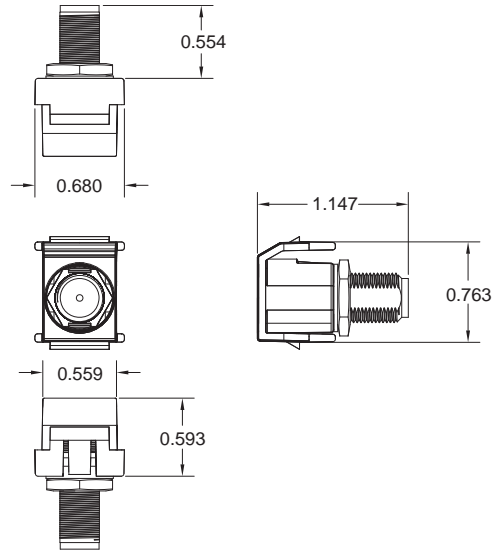
**F-Type Plugs and Tools**

Sold in bags of 25.

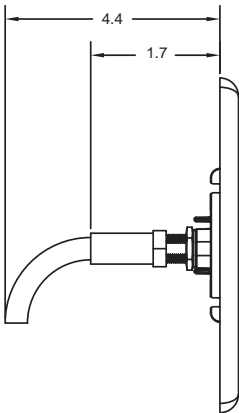
Termination Type	Cable Type	No. of Pieces	Catalog No.
Compression	RG6	1	<b>FRG625</b>
Compression	RG59	1	<b>FRG5925</b>
Crimp	RG6	1	<b>FRG6C25</b>

Tools	Catalog No.
Crimp Tool Frame (die-sets sold separately)	<b>UCT</b>
RG6 and RG59 Crimp Die-Set	<b>CDTSRG659</b>
RG6 and RG59 Compression Tool	<b>COMPTRG659</b>

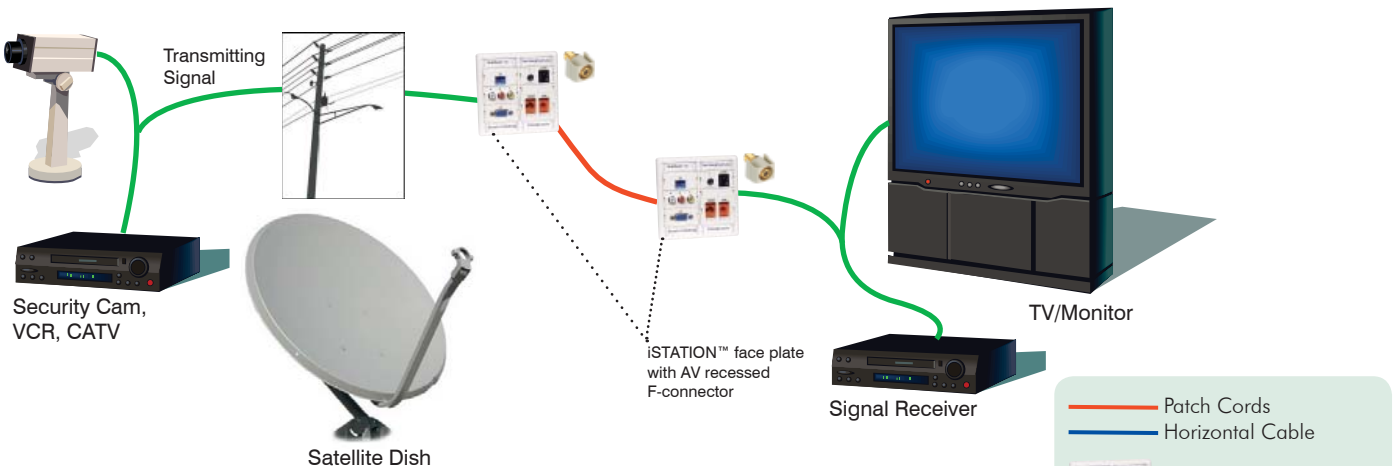
**DIMENSIONS**



**CONNECTOR DEPTH CHART**



**TYPICAL APPLICATION**



**iSTATION™ COMPATIBLE**

**Work Station and Cross-Connect Solutions**

- Front and Rear-loading Plates
- Duplex and Decorator Frames
- ISM Surface Mount Boxes
- UDX Multimedia Panels (except 1U-48)
- netSELECT™: Residential Network Solution
- iFRAME™ Vertical Patch Panel

**Hubbell Delivery System**

- Hubbell SystemOne Poke-Throughs and Floor Boxes
- Hubbell Surface Raceway, Metal and Non-Metallic
- Multi-Connect™ Wall Boxes/Conference Table Boxes
- Power Poles



**Hubbell Premise Wiring**

HUBBELL INCORPORATED (Delaware)  
14 Lord's Hill Road • Stonington, CT 06378-0901 • (860) 535-8326 • 800-626-0005  
Fax: (860) 535-8328 • Internet site: <http://www.hubbell-premise.com>

**Worldwide Locations**

Hubbell Premise Wiring, Asia Pacific	852-2836-7131	Fax: 852-2836-7132	Hubbell Premise Wiring, Latin America	305-408-4501	Fax: 305-408-8201
Hubbell Canada Inc.	905-839-1138	Fax: 905-839-9108	Hubbell de Mexico, S.A. de C.V.	(5255) 9151-9999	Fax: (5255) 9151-9989
Hubbell Premise Wiring, Central America	506-309-4158	Fax: 506-260-1616	Hubbell Premise Wiring, Middle East	971-4-393-4192	Fax: 971-4-393-4194
Hubbell Premise Wiring, China	86-21-6374 2660	Fax: 86-21-6374 2799	Hubbell Premise Wiring, Puerto Rico	787-855-1075	Fax: 787-855-3265
Hubbell Premise Wiring, Europe	44-01283 500500	Fax: 44-01283 500400	Hubbell-Taian Co., Ltd., Taiwan	886-2-2522-1862	Fax: 886-2-2522-1872
Hubbell Premise Wiring, India	91-80-4022-4089	Fax: 91-80-4022-4033	Hubbell Premise Wiring, Venezuela	58-212-5156482	Fax: 58-212-6627258
Hubbell Int'l. Inc., Korea Branch	(82 2) 2607 1363	Fax: (82 2) 2603 7386			