



HUBBELL
iStation

Audio Video Connectors, Cat 5e Inline Coupler

Category 5e Coupler.

Universal Keystone Design Fits
Into All Hubbell Products.

Quick and Easy Interconnect.

T568A/B Compatible.

Plug 'n Play
style termination.



Accepts Hubbell Icons.

High-impact, flame-
retardant polymer.

SPECIFICATIONS

- ◆ **Contacts:**
Phosphorus Bronze, Gold-plating over Nickel.
- ◆ **Performance:** Category 5e Channel, 100MHz.
- ◆ **Material:**
Snap Fit Connector Body: Flame Retardant Polymer UL 94V-0.
- ◆ **Signal Transmitted:** 10/100/1000BASE-T.

Hubbell's Category 5e inline couplers deliver reliable Category 5e performance to the work station or cross connect. Simplifying moves, adds and changes the Category 5e coupler allows easy plug 'n play style connections.

Requiring no 110 punch down, these connectors install with a snap into any **iSTATION™** product, module, frames, Hubbell delivery system products including poke-throughs, raceway, and UDX multimedia panels to distribute audio/video signal.

Create a customized multimedia work station by snapping in a Category 5e Coupler along with HPW's extensive line of AV connectors, loaded modules and **XCELERATOR™** jacks.

CABLE TERMINATION

Cable Type:
Standard Patch Cords: Category 5e RJ45.

APPLICATIONS SUPPORTED

- 1000BASE-T (Gigabit Ethernet), 100BASE-T, 10BASE-T, 155Mbps ATM.
- DTE power applications, VoIP, wireless access.
- Analog video, digital video.

CONNECTOR TERM

TIA/EIA-568-B.2 - Category 5e is an enhanced version of Cat 5 that adds specifications for far end crosstalk (FEXT) and equal level far end crosstalk (ELFEXT). Defined in 2001 in the TIA/EIA-568-B standard. The tighter performance levels that were added to support 1000BASE-T.
Total Channel Specification: 100m

INSTALLATION TIPS

Important: Always allow for clearance behind connection location to ensure for proper bend radius.

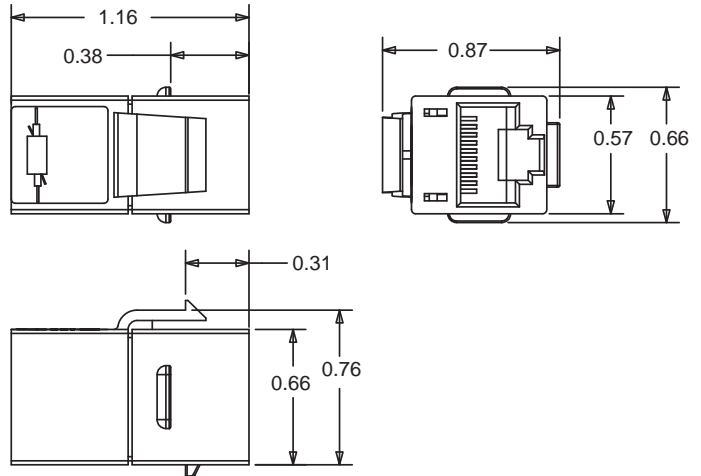
Termination: The Cat 5e couplers utilize standard RJ45 Category rated patch cords, either pre-terminated or field attachable.

AV Connector, Cat 5e Inline Coupler

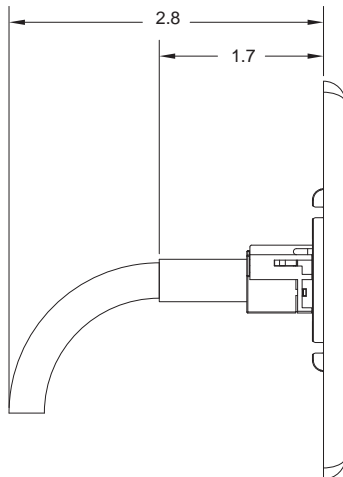


Description	Color	Catalog No.
Category 5e, Inline	Black	SFC5EBK
	White	SFC5EW
10/100BASE-T Cross Over	Gray	SF5ECOY
Inline		

DIMENSIONS



CONNECTOR DEPTH CHART



iSTATION™ COMPATIBLE

Work Station and Cross-Connect Solutions

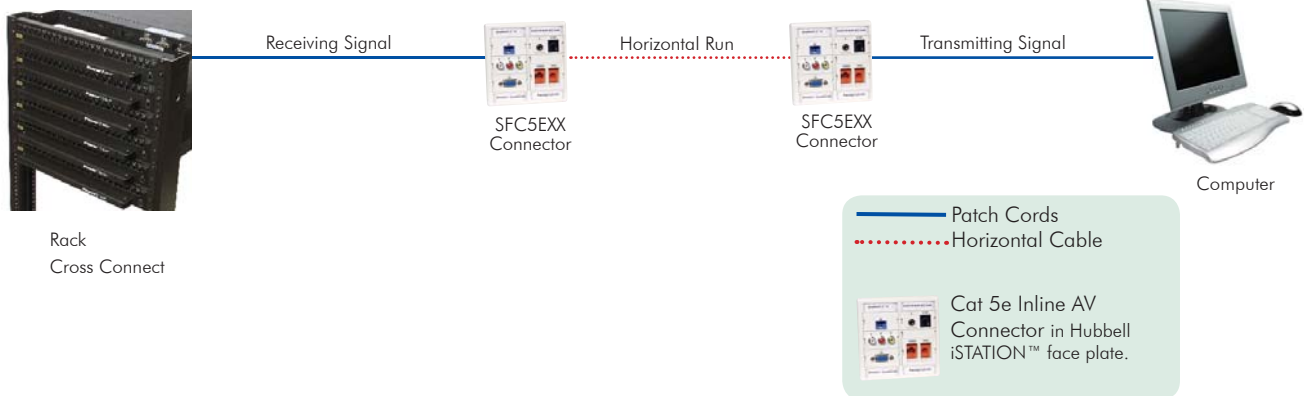
- Front and Rear-loading Plates
- Duplex and Decorator Frames
- UDX Multimedia Panels (except 1U-48)
- **NETSELECT®** Residential Network Solution
- **iFRAME®** Vertical Patch Panel

Hubbell Delivery Systems

- Hubbell **SystemOne** Poke-Throughs and Floor Boxes
- Hubbell Surface Raceway, Metal and Non-Metallic
- Multi-Connect™ Wall Boxes/Conference Table Boxes
- Power Poles



TYPICAL APPLICATION



Hubbell Premise Wiring

HUBBELL INCORPORATED (Delaware)
 14 Lord's Hill Road • Stonington, CT 06378-0901 • (860) 535-8326 • 800-626-0005
 Fax: (860) 535-8328 • Internet site: <http://www.hubbell-premise.com>

Worldwide Locations

Hubbell Premise Wiring, Asia Pacific	852-2836-7131	Fax: 852-2836-7132	Hubbell Premise Wiring, Latin America	305-408-4501	Fax: 305-408-8201
Hubbell Canada Inc.	905-839-1138	Fax: 905-839-9108	Hubbell de Mexico, S.A. de C.V.	(5255) 9151-9999	Fax: (5255) 9151-9989
Hubbell Premise Wiring, Central America	506-309-4158	Fax: 506-260-1616	Hubbell Premise Wiring, Middle East	971-4-393-4192	Fax: 971-4-393-4194
Hubbell Premise Wiring, China	86-21-6374 2660	Fax: 86-21-6374 2799	Hubbell Premise Wiring, Puerto Rico	787-855-1075	Fax: 787-855-3265
Hubbell Premise Wiring, Europe	44-01283 500500	Fax: 44-01283 500400	Hubbell-Taian Co., Ltd., Taiwan	886-2-2522-1862	Fax: 886-2-2522-1872
Hubbell Premise Wiring, India	91-80-4022-4089	Fax: 91-80-4022-4033	Hubbell Premise Wiring, Venezuela	58-212-5156482	Fax: 58-212-6627258
Hubbell Int'l. Inc., Korea Branch	(82 2) 2607 1363	Fax: (82 2) 2603 7386			