



HUBBELL
iStation

Audio Video Connectors, Cat 6 Inline Coupler

Category 6 Coupler.

Standard Hubbell Keystone
Opening.

Quick and Easy Interconnect.

T568A/B Compatible.

Plug 'n Play
style termination.

Simplifying moves, adds
and changes (MACs).



High-impact, flame-
retardant polymer.

SPECIFICATIONS

- ◆ **Contacts:**
Phosphorus Bronze, Gold-plating over Nickel.
- ◆ **Performance:** Category 6 Channel, 250MHz.
- ◆ **Material:**
Snap Fit Connector Body: Flame Retardant Polymer UL 94V-0.
- ◆ **Signal Transmitted:** 10/100/1000BASE-T.

Hubbell's Category 6 straight through inline couplers deliver reliable Category 6 channel performance to the work station or cross connect. Simplifying adds, moves and changes the Category 6 coupler allows easy plug 'n play style connections.

Requiring no 110 punch down, these connectors install with a snap into any **iSTATION™** product, module, frames, Hubbell delivery system products, including SystemOne, raceway, and UDX panels.

Create a customized multimedia work station by snapping in a Category 6 Coupler along with HPW's extensive line of AV connectors, loaded modules and **XCELERATOR™** jacks.

CABLE TERMINATION

Cable Type:
Standard Patch Cords: Category 6 RJ45.

APPLICATIONS SUPPORTED

- 1000BASE-T Gigabit Ethernet, 100BASE-T, 10BASE-T, 155Mbps ATM.
- Analog video, digital video.

INSTALLATION TIPS

Important: Always allow for clearance behind connection location to ensure for proper bend radius.

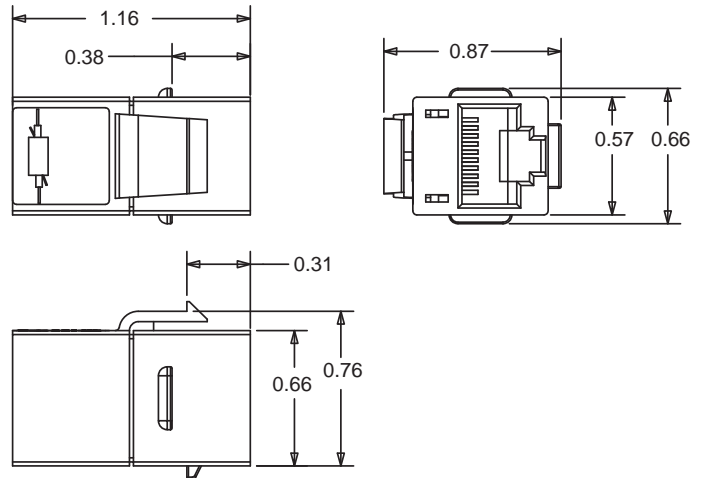
Termination: The Cat 6 coupler utilizes standard RJ45 Category rated patch cords, either pre-terminated or field attachable.

AV Connector, Cat 6 Inline Coupler

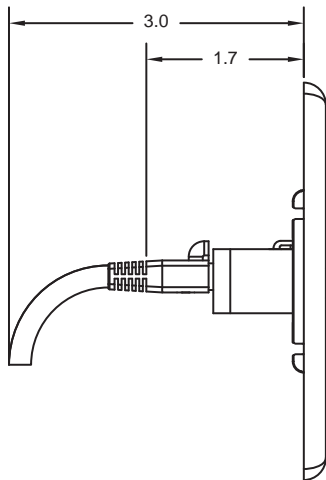


Description	Color	Catalog No.
Category 6, Inline	Black	SFC6BK
	White	SFC6W

DIMENSIONS



CONNECTOR DEPTH CHART



iSTATION™ COMPATIBLE

Work Station and Cross-Connect Solutions

- Front and Rear-loading Plates
- Duplex and Decorator Frames
- ISM Surface Mount Boxes
- UDX Multimedia Panels (except 1U-48)
- **NETSELECT®**: Residential Network Solution
- **iFRAME®** Vertical Patch Panel

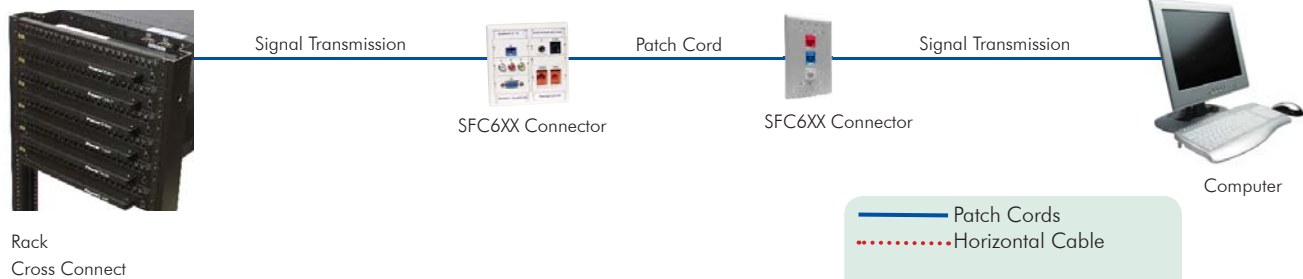


Hubbell Delivery System


- Hubbell **SystemOne** Poke-Throughs and Floor Boxes
- Hubbell Surface Raceway, Metal and Non-Metallic
- Multi-Connect™ Wall Boxes/Conference Table Boxes
- Power Poles



TYPICAL APPLICATION



— Patch Cords
 Horizontal Cable

 Cat 6 Inline AV Connector in Hubbell iSTATION™ face plate.



Hubbell Premise Wiring

HUBBELL INCORPORATED (Delaware)
 14 Lord's Hill Road • Stonington, CT 06378-0901 • (860) 535-8326 • 800-626-0005
 Fax: (860) 535-8328 • Internet site: <http://www.hubbell-premise.com>