



HUBBELL iStation Audio/Video Connectors, Pro-AV FireWire

iSTATION™ System 1.5U
Integration.

Pro-AV Style Mounting.

6-Wire 400 Mbps Performance.

High Performance Multimedia
Connection.

Female 6-wire to
Female 6-Wire.



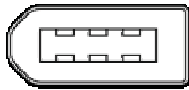
Quick and easy
connection installation.

Universally accepted standard
Pro-AV panel mount housing.

Ideal for audio networking and
integration of computer based
equipment into audio systems

SPECIFICATIONS

- ◆ **Connector Type:**
IEEE 1394, 6-Wire Female.
- ◆ **Performance:** 400 Mbps.
- ◆ **Electrical:**
Contact resistance: < 30 mΩ (mated pair).
Dielectric strength: 0,5 kVdc (1 min).
Insulation resistance: > 1 GΩ.
Rated current per contact: 1.5 A.
Rated voltage: < 40 V ac.
- ◆ **Mechanical:**
Insertion force: < 35 N.
Withdrawal force: > 10 N.
Lifetime: > 1500 mating cycles.
- ◆ **Material:**
Contact plating: Gold.
Contacts: CuZn36.
Insert: Polyamide (PA 6).
Shell: Zinc diecast (ZnAl4Cu1).
Shell: plating Black chromium.
- ◆ **Environmental:**
Flammability: UL 94V-0.
Temperature range: -25 °C to +85 °C.



Hubbell's Pro-AV 1394 FireWire connector provides a perfect solution for connecting multimedia and computer peripherals to a work station. Requiring just a plug n' play patch cord connection from the device to the computer, Hubbell's Pro-AV 1394 FireWire connector installs easily into an iSTATION™ 1.5U module.

Hubbell's Pro-AV 1394 FireWire connector is a 6-wire female coupler allowing 400 Mbps of transparent data transmission. Simply install the connector into iSTATION™ AV Blank module and front load into any iSTATION™ product, Hubbell Delivery System products including poke throughs and raceway, or iSTATION™ UDX multimedia panels. AV Blank modules are available in 7 standard colors.

Create a customized multimedia work station outlet by adding a Pro-AV 1394 FireWire connector along with Hubbell's extensive line of AV connectors, iSTATION™ modules and XCELERATOR™ jacks.

CABLE TERMINATION

Cable Type: Standard 1394 FireWire patch cord connections.

Distance: Maximum connection length may not exceed 4.5 meters, non-active. With amplification, follow manufacturer's specifications.

CONNECTOR TERM

1394/FireWire: IEEE 1394 standard for 400Mbps High Speed Serial Bus. This application was initiated by Apple and developed by the IEEE P1394 Working Group to connect to data storage devices, DV (digital video) and multimedia devices, industrial vision systems and pro audio.

APPLICATIONS SUPPORTED

- ▲ Apple peripheral devices.
- ▲ Storage devices.
- ▲ High-speed streaming multimedia.
- ▲ Vision systems.
- ▲ Real-time audio video editing/recording systems.

INSTALLATION TIPS

Important: Always allow for clearance behind connection location to ensure proper bend radius and patch cord connector depth.

AV Connector, Pro-AV 1394 FireWire



Qty. 10-pack
 Catalog No. **139410**

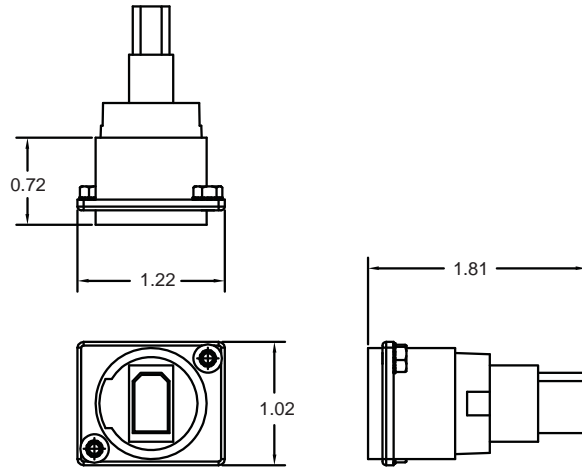
AV Modules, Pro-AV Blank

Description Pro-AV Blank, Unloaded, 1.5 Unit, 10-pk
 Catalog No. **IMAVB15XX**

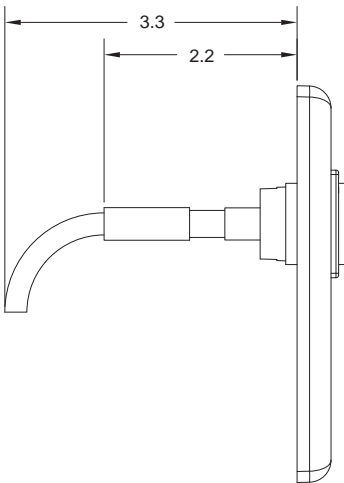
XX = Housing Colors

"AL" = Almond; "B" = Black; "EI" = Electric Ivory; "GY" = Gray;
 "LA" = Light Almond; "OW" = Office White; "W" = White.

DIMENSIONS



CONNECTOR DEPTH CHART



iSTATION™ COMPATIBLE

Work Station and Cross-Connect Solutions

- iSTATION™ Front-loading Plates
- Decorator Frames
- iSTATION™ UDX Multimedia Panels
- iFRAME® Vertical Patch Panel

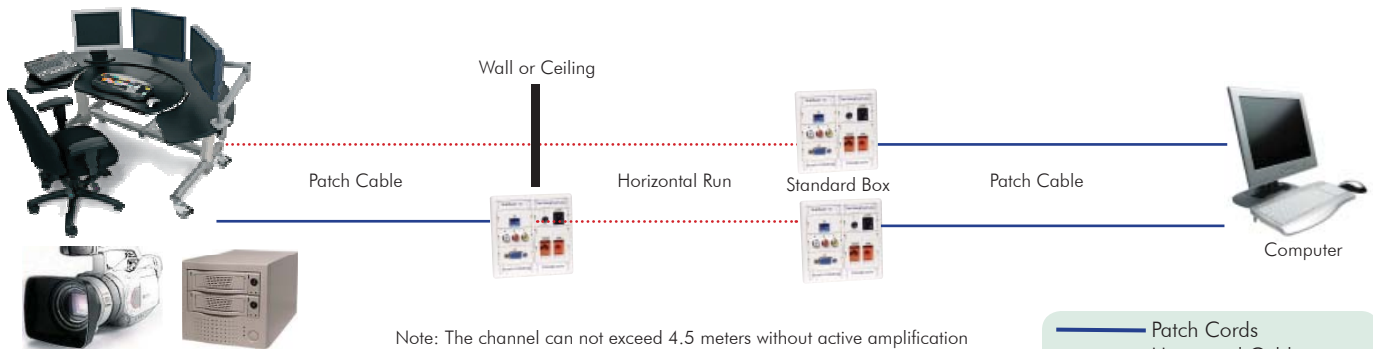


Hubbell Delivery Systems

- Hubbell SystemOne Poke-Throughs and Floor Boxes
- Hubbell Surface Raceway, Metal and Non-Metallic
- Multi-Connect™ Wall Boxes/Conference Table Boxes



TYPICAL APPLICATIONS



Note: The channel can not exceed 4.5 meters without active amplification

— Patch Cords
 Horizontal Cable

Pro-AV, 1394 Connector in Hubbell iSTATION™ face plate.



Hubbell Premise Wiring

HUBBELL INCORPORATED (Delaware)
 14 Lord's Hill Road • Stonington, CT 06378-0901 • (860) 535-8326 • 800-626-0005
 Fax: (860) 535-8328 • Internet site: <http://www.hubbell-premise.com>

Worldwide Locations

Hubbell Premise Wiring, Asia Pacific
 Hubbell Canada Inc.
 Hubbell Premise Wiring, Central America
 Hubbell Premise Wiring, China
 Hubbell Premise Wiring, Europe
 Hubbell Premise Wiring, India
 Hubbell Int'l. Inc., Korea Branch

852-2836-7131
 905-839-1138
 506-309-4158
 86-21-6374 2660
 44-01283 500500
 91-80-4022-4089
 (82 2) 2607 1363

Fax: 852-2836-7132
 Fax: 905-839-9108
 Fax: 506-260-1616
 Fax: 86-21-6374 2799
 Fax: 44-01283 500400
 Fax: 91-80-4022-4033
 Fax: (82 2) 2603 7386

Hubbell Premise Wiring, Latin America
 Hubbell de Mexico, S.A. de C.V.
 Hubbell Premise Wiring, Middle East
 Hubbell Premise Wiring, Puerto Rico
 Hubbell-Taian Co., Ltd., Taiwan
 Hubbell Premise Wiring, Venezuela

305-408-4501
 (5255) 9151-9999
 971-4-393-4192
 787-855-1075
 886-2-2522-1862
 58-212-5156482

Fax: 305-408-8201
 Fax: (5255) 9151-9989
 Fax: 971-4-393-4194
 Fax: 787-855-3265
 Fax: 886-2-2522-1872
 Fax: 58-212-6627258