



HUBBELL iFrame 3-Phase Data Center Distribution System

Plug and Play Technology.
Reduces Branch Circuit Wiring by 40%.

Improves Data Center Airflow.

Base Unit Powers up to 80 Active Components.

Dual feed, 30A, 120/208 Wye input enables full power redundancy.



LED status indicators.

Color coordinated receptacles allow for easy electrical load balancing.

SPECIFICATIONS

Distribution Base Unit:

- ◆ AC Voltage Input: 208V Wye (3-phase)
- ◆ Input Current: 30A per phase x 2 feeds
- ◆ Output Current: 180A @ 120V
90A @ 208V
- ◆ Full Load Rating: 21.6 KVA
- ◆ Convenience outlets: (6) NEMA 5-20R
- ◆ Outlets for power strips: (4) L21-20R
- ◆ Input Plug/Cord: (2) NEMA L21-30P each with 10' cord

Power Strips:

- ◆ PR20Z120: (20) NEMA 5-20R outlets; 10' cord set with L21-20P plug.
- ◆ PR40Z120: (40) NEMA 5-20R outlets; (2) 10' cord sets each with L21-20P plug.

APPROVALS/INSTALLATION

- UL and cUL Listed 60950.

APPLICATIONS

- ▲ Data center applications that requires reliable and/or redundant power distribution. Design provides for maximum scalability giving data center managers the security to expand their system's capabilities.

Hubbell's new 3-Phase Data Center Distribution System; an **iFRAME®** product, provides your data center with highly reliable, redundant power for your most critical applications while reducing installation and life cycle costs.

The patented 3-phase system represents the backbone that delivers power to your critical components within the data center environment. This is accomplished using a minimum number of cables and fewer breaker positions at the PDU than single phase units. The net result is an efficient electrical transport system generating less heat and providing better airflow characteristics within the data center's cabinets and beneath raised access flooring. The system's brain is a 19" rack mounted base unit that transforms 3 phase input voltage into usable single phase power. It also has a clear front access door allowing unobstructed views of its LED status indicators. Used in conjunction with 20 or 40 outlet vertical strips, each unit is capable of powering up to 80 active components across up to 4 data cabinets as the color-coded receptacle design enables effective load balancing of your system.

Whether your requirement is for a new data center or an expansion to an existing one, keep it powered and running smoothly using the **iFRAME®** Power Distribution System from Hubbell Premise Wiring.



PR40Z120 shown

ORDERING INFORMATION

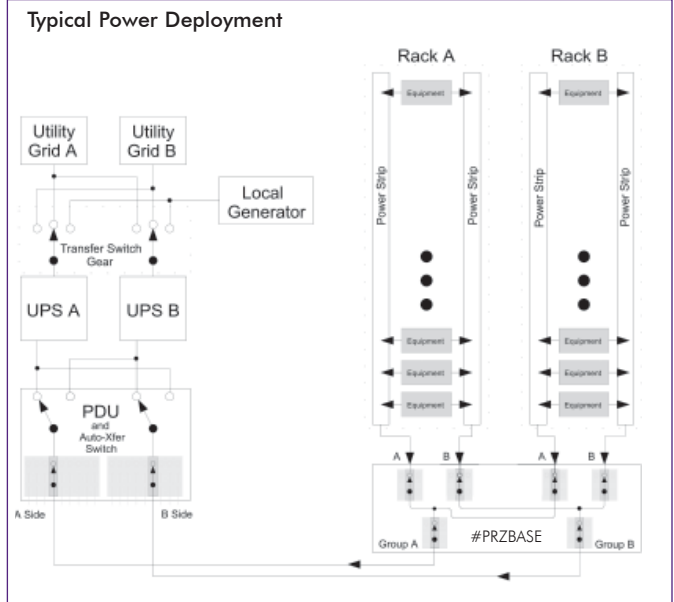
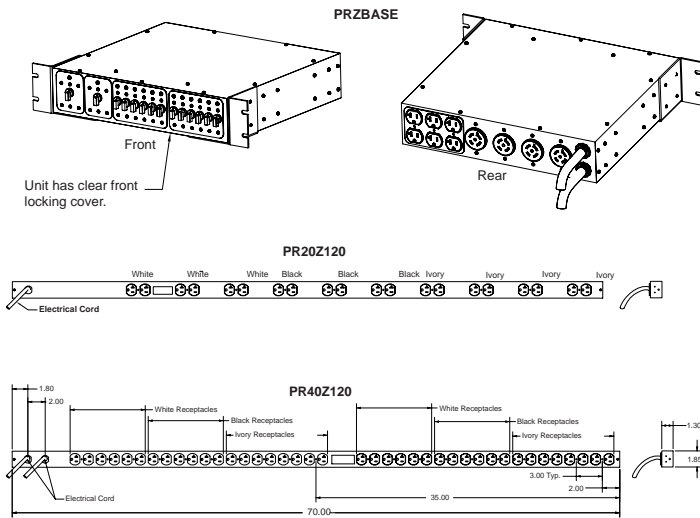
HUBBELL iFrame 3-Phase Power Distribution System

Description	Delivery	Catalog No.
Base Unit	19"/23" Rack Mount Unit, (2) 10' Cords	PRZBASE
120V Power Strip	66" Strip, 20 NEMA 5-20R Rec., 10' Cord	PR20Z120*
120V Power Strip	70" Strip, 40 NEMA 5-20R Rec. (2), 10' Cords	PR40Z120*

* Full length mounting bracket included.



LINE DRAWINGS



RELATED PRODUCTS

Description	Delivery	Catalog No.
15A/120V Surge Protected Power Strip	19" Rack Mount, (10) NEMA 5-15R Rear Face Outlets, 10' Cord with NEMA 5-15P Plug	MCCPSS19
60A/250V Single Phase PDU	19" Rack Mount, (3) IEC 320 C19 outlets and (3) 2P/20A circuit breakers	PR0360

Consult Catalog, Web Site, or contact Hubbell Premise Wiring for additional information.

Additional standard and custom products are available.



Hubbell Premise Wiring

HUBBELL INCORPORATED (Delaware)
 14 Lord's Hill Road • Stonington, CT 06378-0901 • (860) 535-8326 • 800-626-0005
 Fax: (860) 535-8328 • Internet site: <http://www.hubbell-premise.com>

Worldwide Locations

Hubbell Premise Wiring, Asia Pacific	852-2836-7131	Fax: 852-2836-7132	Hubbell Premise Wiring, Latin America	305-408-4501	Fax: 305-408-8201
Hubbell Canada Inc.	905-839-1138	Fax: 905-839-9108	Hubbell de Mexico, S.A. de C.V.	(5255) 9151-9999	Fax: (5255) 9151-9989
Hubbell Premise Wiring, Central America	506-309-4158	Fax: 506-260-1616	Hubbell Premise Wiring, Middle East	971-4-393-4192	Fax: 971-4-393-4194
Hubbell Premise Wiring, China	8621-6309-0119	Fax: 8621-6309-0122	Hubbell-Taian Co., Ltd., Taiwan	886-2-2522-1862	Fax: 886-2-2522-1872
Hubbell Premise Wiring, Colombia	571-245-8940	Fax: 571-340-0925	Hubbell Premise Wiring, Turkey	90-216-313-5016	Fax: 90-216-414-8148
Hubbell Premise Wiring, Europe	44-01283 500500	Fax: 44-01283 500400	Hubbell Premise Wiring, Venezuela	58-416-680-7453	Fax: 58-281-274-7900
Hubbell Int'l. Inc., Korea Branch	82-2-(0)2607-1363	Fax: 82-2-(0)2603-7386			